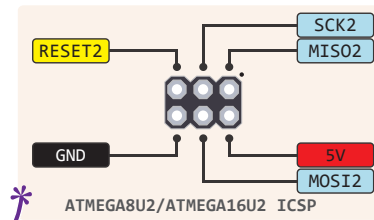
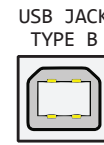
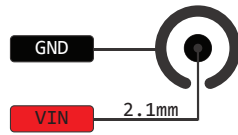


THE DEFINITIVE ARDUINO MEGA PINOUT DIAGRAM

i 7-12V Depending on current drawn

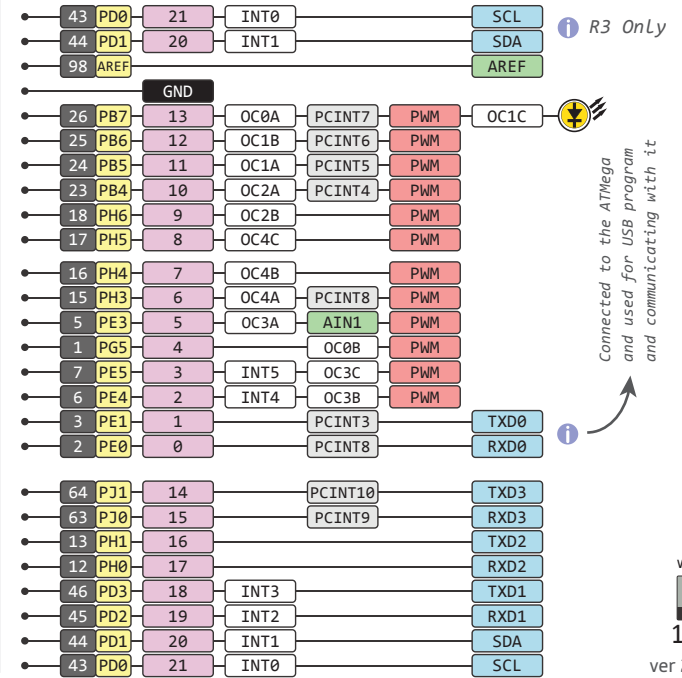
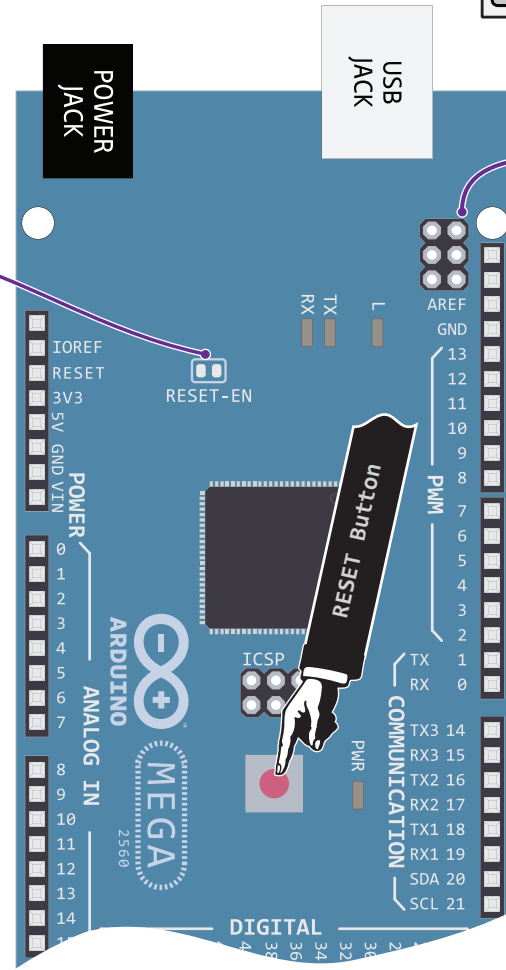
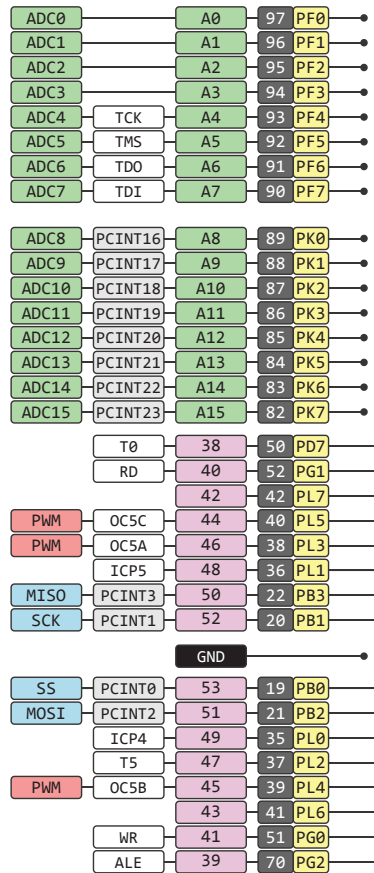
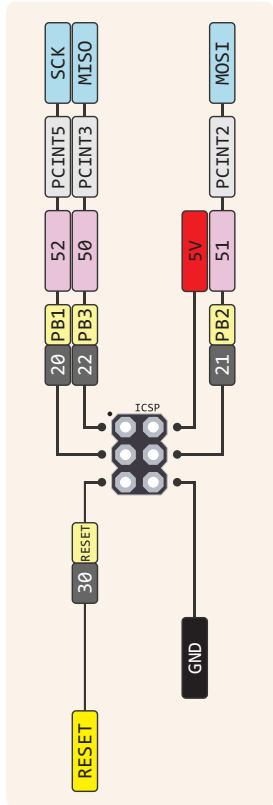
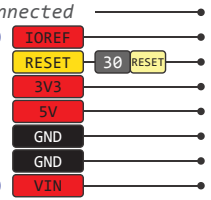


Cut to disable the auto-reset

This provides a Logic reference voltage for shields that use it. It is connected to the 5V bus.

Not Connected
R3 Only **i**

The input voltage to the Arduino board when it is running from external power.
Not USB bus power.



Connected to the ATmega and used for USB program and communicating with it

⚠️ Absolute max per pin 40mA recommended 20mA
🛑 Absolute max 200mA for entire package

